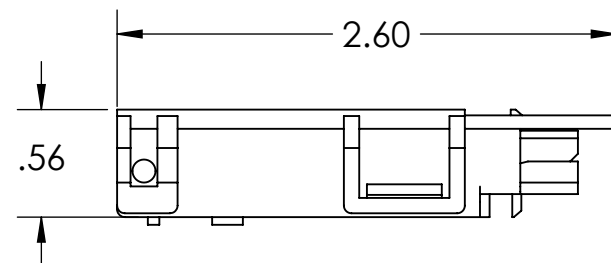
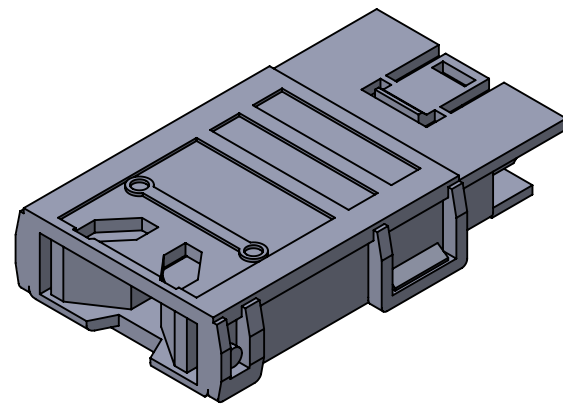
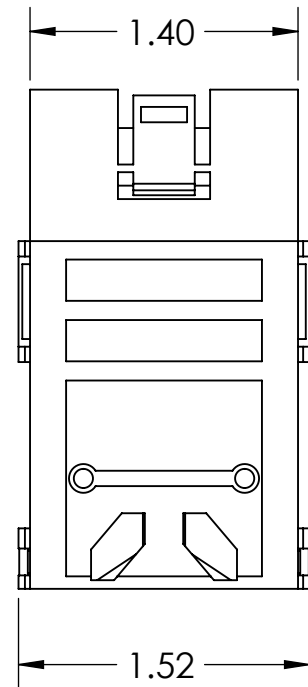
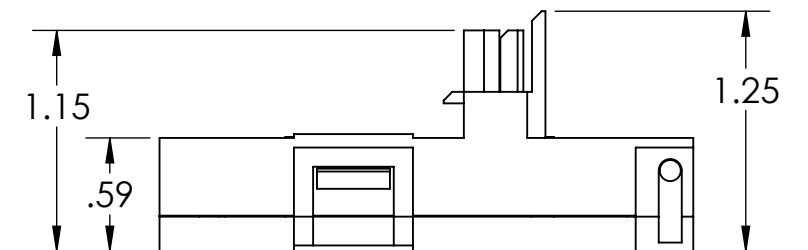
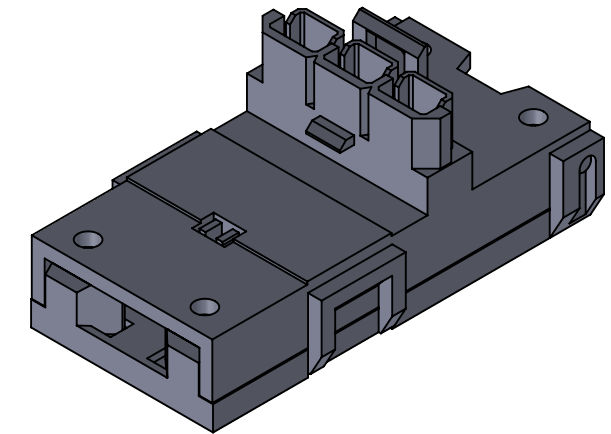
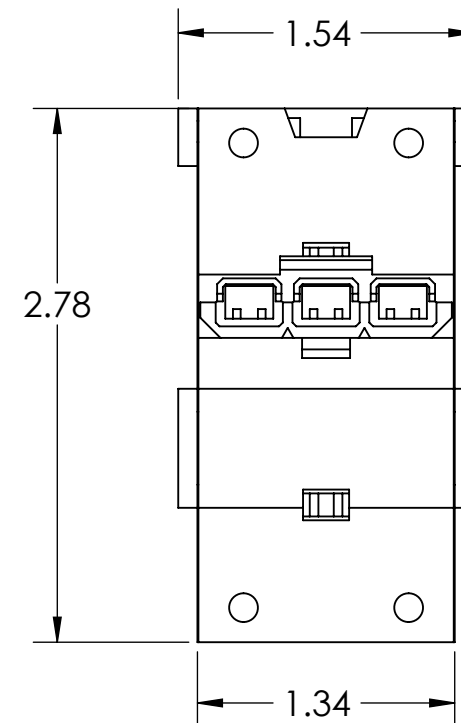


TAP TERMINAL



TAP CONNECTOR



NOTES:

1. TAPS 14/2 AND 12/2 NON-METALLIC SHEATHED CABLE WITH GROUND
2. 300 VOLT, 20 AMP RATING
3. APPLICATIONS INCLUDE "BUILT-ON-SITE" TYPE HOMES/STRUCTURES, BASEMENTS, ATTICS, GARAGES, SUSPENDED CEILINGS, ETC., ANYWHERE ACCESSIBLE
4. CONCEALMENT APPLICATIONS PER NEC:
 - ARTICLE 545, MANUFACTURED BUILDINGS
 - ARTICLE 550, MANUFACTURED HOMES
 - ARTICLE 551, RECREATIONAL VEHICLES
5. ELIMINATES JUNCTION BOXES AND THE NEED TO CUT WIRE REDUCING INSTALLATION TIME
6. COMPACT, RUGGED DESIGN THAT INCLUDES DOUBLE INSULATION DISPLACEMENT CONTACTS FOR MAXIMUM CONDUCTIVITY
7. PACKAGED AS ONE KIT PER BAG WITH INSTALLATION INSTRUCTIONS



NO.	ECN	DATE
4	12223	1/3/2025
3	10592	7/7/2003
2	10395	3/8/2000
1	10367	12/17/1999

REVISIONS

1	2	TAP CONNECTOR
1	1	TAP TERMINAL
QTY.	PT.	NAME OR DESCRIPTION
TAP TERMINALS for NMTK-142-122 KIT		
REF. DWG'S: 5316-98091		H:\5316\NMTK142-122
PENNUION 229 WATERFORD STREET EDINBORO, PA 16412 USA		DRAWN BY: DT DATE: 7/2/2024 CHK'D: PJO SCALE: 1:1 INTERPRET PER ASME Y14.5-2009 FILE: 5316 SIZE: B DWG. NO. NMTK142-122 REV. -