
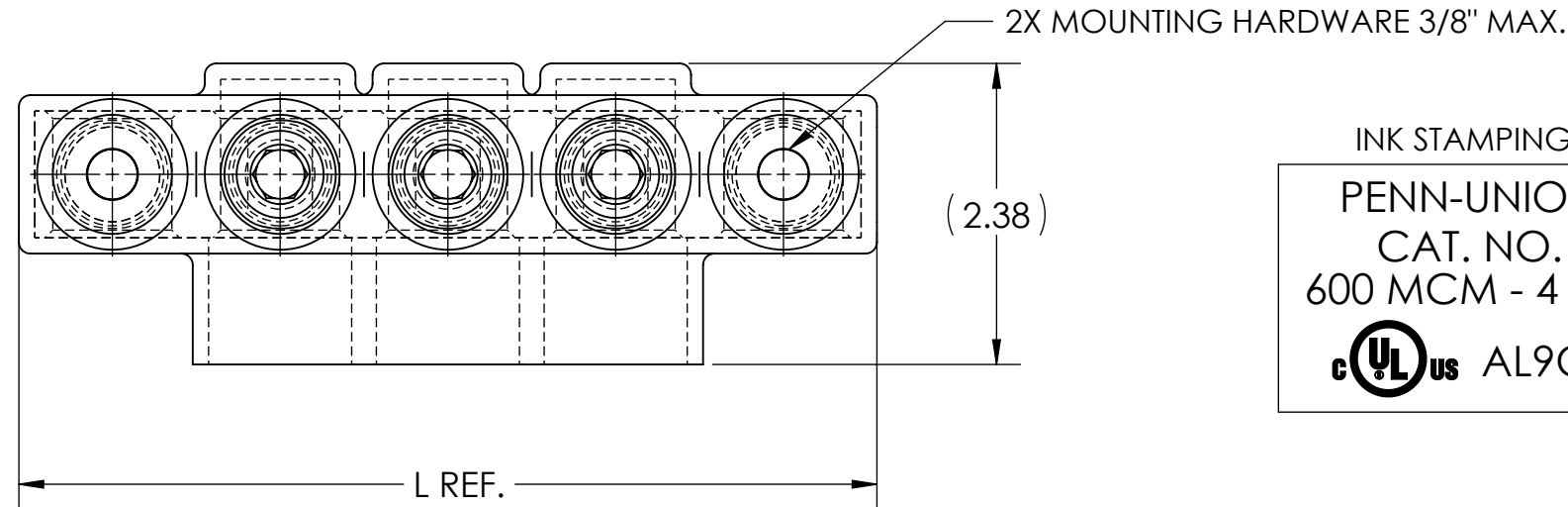



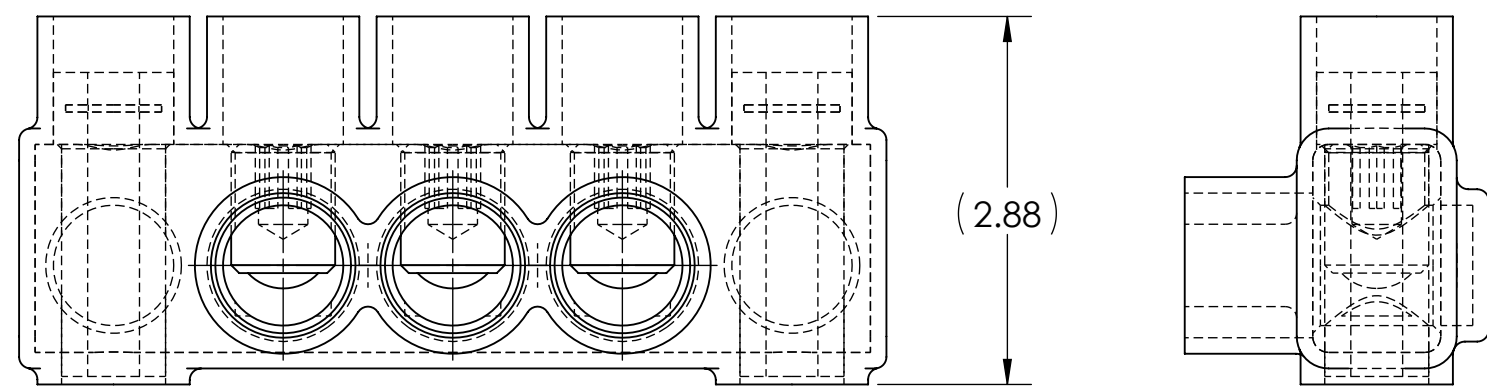
DWG. NO. **IPBBM-NA600-S** REV. **4**

- NOTES:
1. ALL DIMENSIONS IN INCHES UNLESS OTHERWISE SPECIFIED
  2. CONDUCTOR RANGE: 600 MCM - 4 STR
  3. DESIGNED FOR APPLICATIONS WHERE SECURE MOUNTING OF CONNECTOR IS REQUIRED
  4. SUITABLE FOR USE IN PANEL BOARDS, CABLE TRAYS, RACEWAYS, DUCTS, AND TROUGHS
  5. INSULATION TEMPERATURE RATING: 135°C TO -40°C
  6. PRE-FILLED WITH OXIDE INHIBITOR
  7. SUPPLIED WITH REMOVABLE ACCESS PLUGS
  8. PRE-INSULATED WITH BLACK HIGH DIELECTRIC STRENGTH PLASTISOL
  9. HEX SIZE: 3/8"
  10. INSTALLATION TORQUE: 400 IN•LB

11.  LISTED TO 486A-486B FOR ALUMINUM AND COPPER CONDUCTORS AT 90°C
12. CONNECTORS ARE RATED AND LISTED FOR PARALLEL USE. PLEASE SEE PARALLEL RATING SHEET FOR SPECIFIC INFORMATION

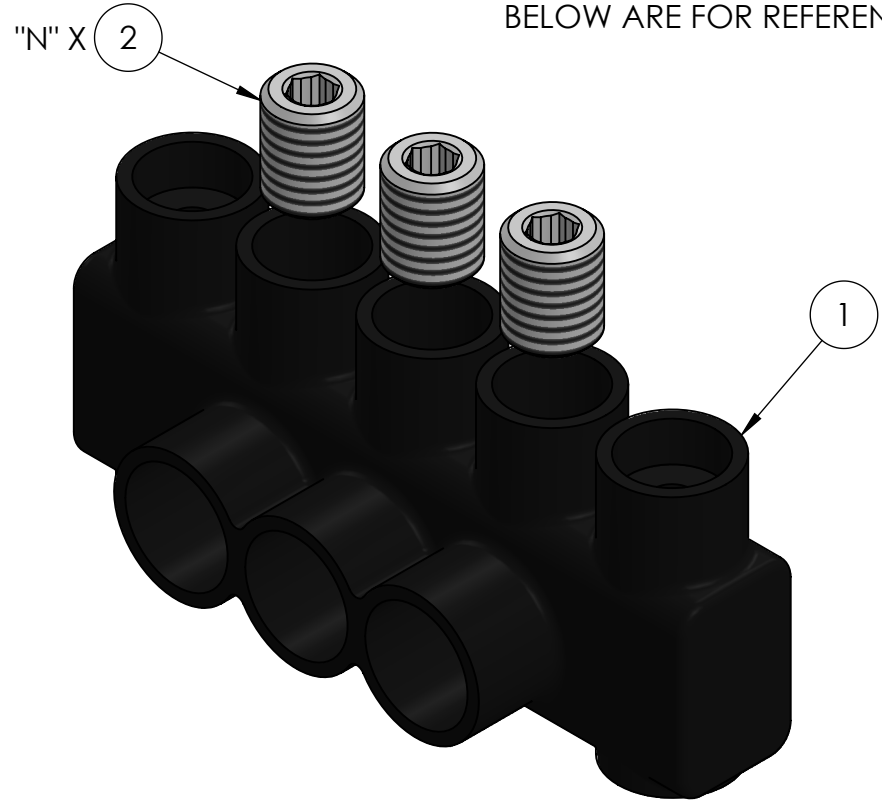


INK STAMPING:  
**PENN-UNION**  
 CAT. NO.  
 600 MCM - 4 STR  
 AL9CU



CAT. NO.	L REF.	N	NUMBER OF CONDUCTORS	APPROX. WEIGHT (LB)
IPBBM-NA600-2S	5.45	2	2	0.866
IPBBM-NA600-3S	6.78	3	3	1.099
IPBBM-NA600-4S	8.10	4	4	1.326
IPBBM-NA600-5S	9.43	5	5	1.556
IPBBM-NA600-6S	10.75	6	6	1.787
IPBBM-NA600-8S	13.40	8	8	2.247
IPBBM-NA600-10S	16.05	10	10	2.707
IPBBM-NA600-12S	18.70	12	12	3.167

- NOTES:
1. APPROX. WEIGHT EXCLUDES ITEMS 3 AND 4
  2. CONDUCTOR PORTS ARE "N" QUANTITY, VIEWS BELOW ARE FOR REFERENCE ONLY



**RoHS**  
COMPLIANT

CONDUCTOR SIZE AND STRANDING					
CLASS B & C	CLASS G	CLASS H	CLASS I	CLASS K	DIESEL LOCOMOTIVE CABLE (DLO)
600 MCM - 4 STR.	350 MCM (259/.0368) - #4 (49/.0292)	350 MCM (427/.0286) - #4 (133/.0177)	350 MCM (882/.0201) - #4 (105/.0201)	350 MCM (3458/.0100) - #4 (420/.0100)	373 MCM (925/.0201) - #4 (105/.0201)

NO.	ECN	DATE
4	11908	1/2/2020
3	11841	4/2/2019
2	11675	12/20/2016
1	11576	6/23/2015

QTY.	PT.	NAME OR DESCRIPTION
	2N	4 PLASTIC PLUG (NOT SHOWN)
	X	3 CUAL-GEL OXIDE INHIBITOR (NOT SHOWN)
	N	2 ALUMINUM SET SCREW
	1	1 INSULATED ALUMINUM BODY

<b>BLACK INSULATED MOUNTABLE POWER BAR</b>	
for 600 MCM - 4 STR	
REF. DWG'S: 4304-55778S7	H:\4304\55778S7_C
	DRAWN BY: QJB DATE: 6/15/2021 CHK'D: CLT
229 WATERFORD STREET EDINBORO, PA 16412 USA	SCALE: 2:3 INTERPRET PER ASME Y14.5-2009 FILE: 4304
SEE TABLE	DWG. NO. <b>IPBBM-NA600-S</b>
CAT. NO.	REV. <b>4</b>