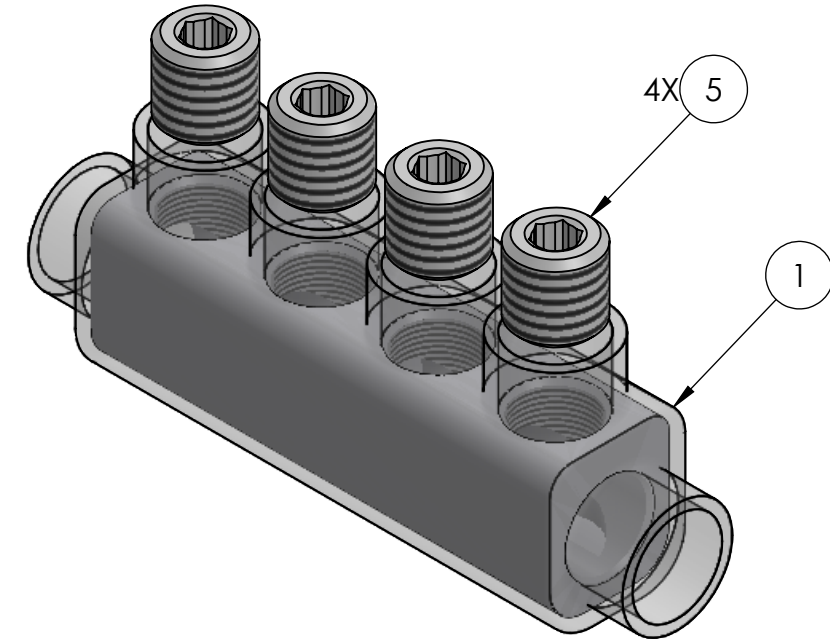
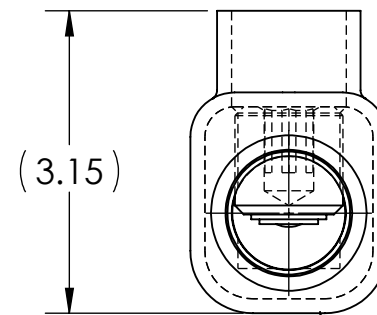
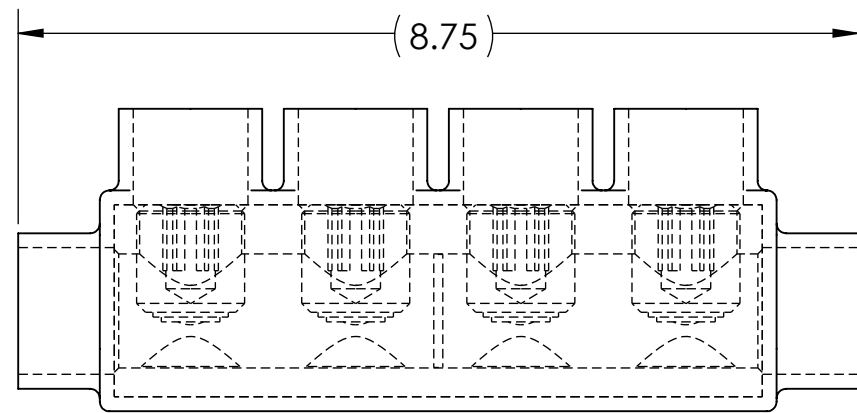
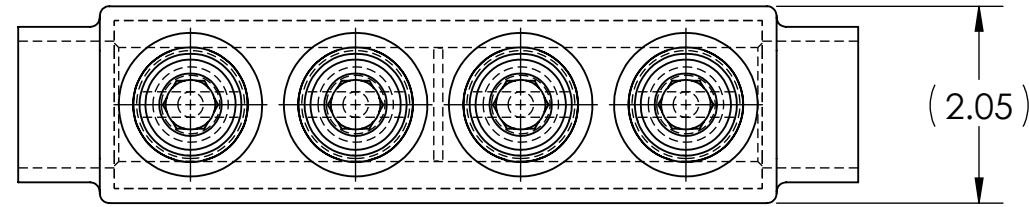


CONDUCTOR SIZE AND STRANDING					
CLASS B & C	CLASS G	CLASS H	CLASS I	CLASS K	DIESEL LOCOMOTIVE CABLE (DLO)
1000 MCM - 500 MCM	600 MCM (427/.0375) - 500 MCM (259/.0439)	600 MCM (703/.0292) - 500 MCM (427/.0342)	600 MCM (1470/.0201) - 500 MCM (1225/.0201)	600 MCM (5985/.0100) - 500 MCM (5054/.0100)	646 MCM (1600/.0201) - 535 MCM (1325/.0201)



- NOTES:
- ALL DIMENSIONS IN INCHES UNLESS OTHERWISE SPECIFIED
 - SUITABLE FOR USE IN CABLE TRAYS, RACEWAYS, DUCTS, AND TROUGHS
 - INSULATION TEMPERATURE RATING: 135°C TO -40°C
 - PRE-FILLED WITH OXIDE INHIBITOR
 - SUPPLIED WITH REMOVABLE ACCESS PLUGS
 - PRE-INSULATED WITH CLEAR HIGH DIELECTRIC STRENGTH PLASTISOL
 - HEX SIZE: 1/2
 - INSTALLATION TORQUE: 800 IN•LB, SET SCREWS TO BE TORQUED FROM OUTER ENDS OF CONNECTOR TOWARDS CENTER
 - STRIP LENGTH: 3-7/16
 - SUITABLE FOR USE ON THE LINE SIDE OF SERVICE EQUIPMENT, "SVC"
 - LISTED TO 486A-486B FOR ALUMINUM AND COPPER CONDUCTORS AT 600 V, 90°C
 - APPROX. WEIGHT (EXCLUDING ITEMS 2, 3, AND 4): 2.112 LB

INK STAMPING:
PENN-UNION
IISR-1000
1000-500 MCM
SVC
AL9CU

NO.	ECN	DATE
REVISIONS		

QTY.	PT.	NAME OR DESCRIPTION
4	5	ALUMINUM SET SCREW
2	4	PLUGS FOR CONDUCTOR HOLE (NOT SHOWN)
4	3	PLUGS FOR SCREW HOLE (NOT SHOWN)
X	2	CUAL-GEL OXIDE INHIBITOR (NOT SHOWN)
1	1	INSULATED ALUMINUM BODY

CLEAR INSULATED IN-LINE SPLICER/REDUCER
for 1000-500 MCM

REF. DWG'S: 4305-56575 H:\4305\56575_C

V1 DRAWN BY: QJB DATE: 7/1/2025 CHK'D: MES
 SCALE: 1:2 INTERPRET PER ASME Y14.5-2009 FILE: 4305

PENN-UNION
229 WATERFORD STREET
EDINBORO, PA 16412 USA

DWG. NO. **IISR-1000** REV. -