
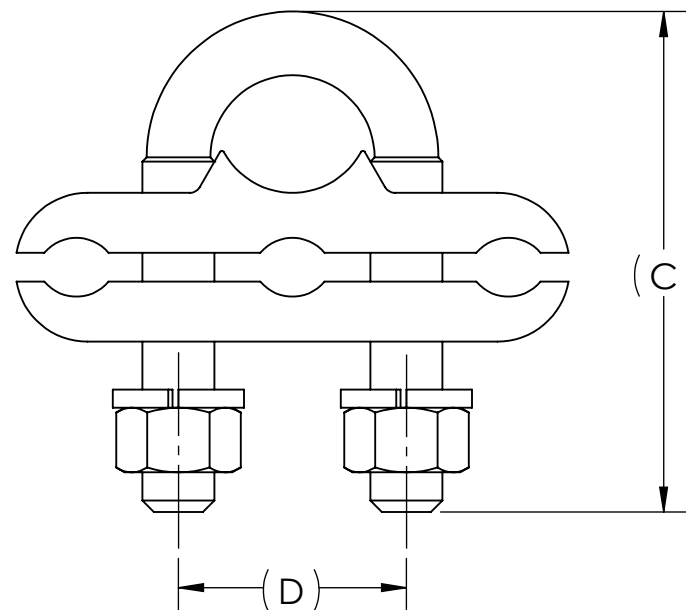
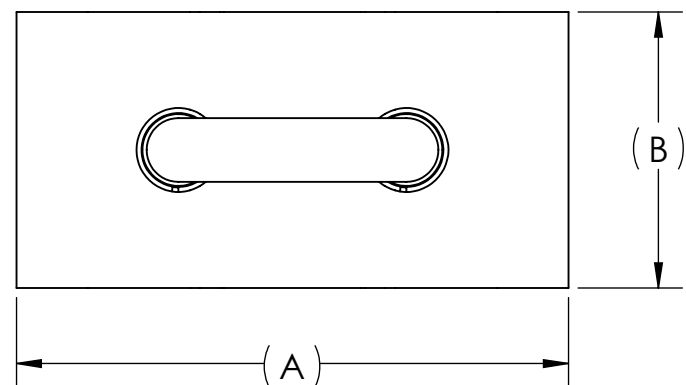


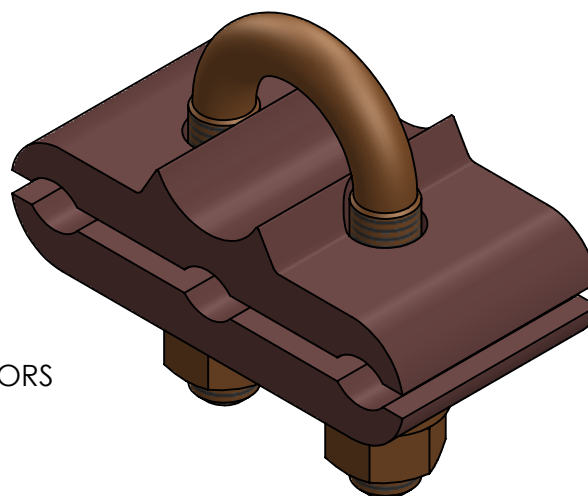
METAL STAMP TO READ:

1. PU OR PUC
2. "CAT. NO."
3. "ROD"
4. "I.P.S."
5. "CONDUCTOR RANGE"
6. DB (EXCEPT NON-UL PARTS)
7. "INSTALLATION TORQUE"
8.  (EXCEPT NON-UL PARTS)




| REV. | CAT. NO. | ACCOMMODATES | | CONDUCTOR RANGE | DIMENSIONS | | | | BOLT SIZE | HEX SIZE | INSTALLATION TORQUE (IN•LB) (SEE NOTE 2) |
|------|----------|------------------|------------------|------------------|------------|------|------|------|-----------|----------|---|
| | | ROD | I.P.S. | | A | B | C | D | | | |
| 03 | GR-1 | 1/2 | 1/4 | 8 SOL.-4 STR. | 2.50 | 1.50 | 2.25 | 1.00 | 3/8 | 9/16 | 150 |
| 02 | GR-2 | | | 4 SOL.-2/0 STR. | 3.00 | 1.50 | 2.50 | 1.00 | 3/8 | 9/16 | 240 |
| 03 | GR-3 | | | 2/0 SOL.-250 MCM | 3.63 | 1.50 | 2.75 | 1.00 | 3/8 | 9/16 | 240 |
| 05 | GR-4 | 5/8 OR 3/4 | 3/8 | 8 SOL.-4 STR. | 2.75 | 1.50 | 2.50 | 1.13 | 3/8 | 9/16 | 150 |
| 07 | GR-5 | | | 4 SOL.-2/0 STR. | 3.00 | 1.50 | 2.75 | 1.13 | 3/8 | 9/16 | 240 |
| 07 | GR-6 | | | 2/0 SOL.-250 MCM | 3.50 | 1.63 | 3.00 | 1.13 | 3/8 | 9/16 | 240 |
| 05 | GR-7* | | | 300-500 MCM | 4.00 | 1.63 | 3.25 | 1.13 | 1/2 | 3/4 | - |
| - | GR-8 | 7/8 OR 1 | 1/2 OR 3/4 | 8 SOL.-4 STR. | 2.88 | 1.50 | 3.00 | 1.50 | 3/8 | 9/16 | 150 |
| 06 | GR-9 | | | 4 SOL.-2/0 STR. | 3.50 | 1.50 | 3.31 | 1.50 | 3/8 | 9/16 | 240 |
| 06 | GR-10 | | | 2/0 SOL.-250 MCM | 3.88 | 1.63 | 3.38 | 1.50 | 1/2 | 3/4 | 480 |
| 02 | GR-11* | | | 300-500 MCM | 4.38 | 1.63 | 3.50 | 1.50 | 1/2 | 3/4 | - |
| - | GR-12* | | | 500-750 MCM | 5.00 | 1.75 | 4.00 | 1.63 | 1/2 | 3/4 | - |
| - | GR-13 | - | 1 | 8 SOL.-4 STR. | 3.25 | 1.50 | 3.00 | 1.75 | 3/8 | 9/16 | 150 |
| 07 | GR-14 | | | 4 SOL.-2/0 STR. | 3.63 | 1.50 | 3.25 | 1.75 | 3/8 | 9/16 | 240 |
| 02 | GR-15 | | | 2/0 SOL.-250 MCM | 4.13 | 1.63 | 3.50 | 1.75 | 3/8 | 9/16 | 240 |
| 01 | GR-16* | | | 300-500 MCM | 4.50 | 1.63 | 3.75 | 1.75 | 1/2 | 3/4 | - |
| - | GR-17* | | | 500-750 MCM | 5.13 | 1.75 | 4.25 | 1.88 | 1/2 | 3/4 | - |
| - | GR-18* | | | 750-1000 MCM | 5.25 | 1.75 | 4.29 | 1.88 | 1/2 | 3/4 | - |
| - | GR-19 | | | 8 SOL.-4 STR. | 3.50 | 1.50 | 3.50 | 2.06 | 3/8 | 9/16 | 240 |
| 04 | GR-20 | | | 4 SOL.-2/0 STR. | 4.00 | 1.50 | 3.75 | 2.06 | 3/8 | 9/16 | 240 |
| 05 | GR-21 | - | 1 1/4 | 2/0 SOL.-250 MCM | 4.50 | 1.63 | 3.88 | 2.06 | 3/8 | 9/16 | 240 |
| 03 | GR-22* | | | 300-500 MCM | 5.13 | 1.75 | 4.38 | 2.19 | 1/2 | 3/4 | - |
| - | GR-23* | | | 500-750 MCM | 5.75 | 2.00 | 5.13 | 2.31 | 1/2 | 3/4 | - |
| - | GR-24* | | | 750-1000 MCM | 6.25 | 2.00 | 5.38 | 2.31 | 1/2 | 3/4 | - |


*NOT cULus LISTED

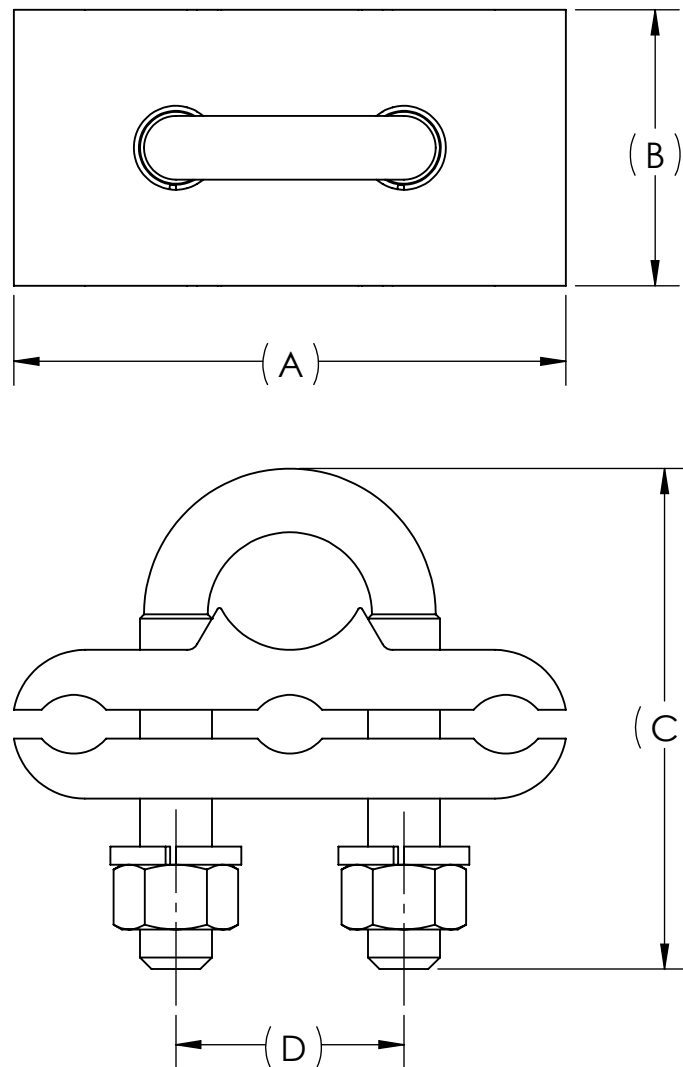


NOTES:

1. ALL DIMENSIONS IN INCHES UNLESS OTHERWISE SPECIFIED
2. UNASSIGNED TORQUE VALUES PER UL486A-B FOR MECHANICAL CONNECTORS
3. MANUFACTURED FROM HIGH COPPER CONTENT ALLOY
4. USED TO CONNECT THREE EQUAL SIZE CABLES TO ROD, WATER PIPE, OR STRUCTURED TUBE
5. CONNECTORS ARE cULus LISTED FOR GROUNDING, BONDING, AND DIRECT BURIAL APPLICATIONS PER UL 467

| | | |
|---|----------------------------|---|
| 2 | SILICON BRONZE LOCK WASHER | |
| 2 | SILICON BRONZE HEX NUT | |
| 1 | SILICON BRONZE BOLT | |
| 1 | BRONZE CLAMP CAP | |
| 1 | BRONZE CLAMP BODY | |
| QTY. | PT. | NAME OR DESCRIPTION |
| BRONZE GROUND CLAMP | | |
| for COPPER CONDUCTORS TO ROD, WATER PIPE, OR STRUCTURED TUBE | | |
| REF. DWG'S: 1N39-18136 | | H:\1N39\GR_SERIES |
|  | | DRAWN BY: DT DATE: 10/27/2023 CHK'D: QJB |
| 229 WATERFORD STREET EDINBORO, PA 16412 USA | | SCALE: 1:1 INTERPRET PER ASME Y14.5-2009 FILE: 1N39 |
| NO. | ECN | DATE |
| REVISIONS | | |
| SEE TABLE | CAT. NO. | DWG. NO. |
| | | GR SERIES |
| | | SHEET 1 OF 2 |
| | | REV. - |

- METAL STAMP TO READ:
1. PU OR PUC
 2. "CAT. NO"
 3. "ROD"
 4. "I.P.S."
 5. "CONDUCTOR RANGE"
 6. DB (EXCEPT NON-UL PARTS)
 7. "INSTALLATION TORQUE"
 8.  (EXCEPT NON-UL PARTS)




| REV. | CAT. NO. | ACCOMMODATES | | CONDUCTOR RANGE | DIMENSIONS | | | | BOLT SIZE | HEX SIZE | INSTALLATION TORQUE (IN•LB) (SEE NOTE 2) |
|------|----------|--------------|------------------|------------------|------------|------|------|------|-----------|----------|---|
| | | ROD | I.P.S. | | A | B | C | D | | | |
| - | GR-25 | - | 1 1/2 | 8 SOL.-4 STR. | 3.75 | 1.50 | 3.75 | 2.38 | 3/8 | 9/16 | 240 |
| 04 | GR-26 | - | | 4 SOL.-2/0 STR. | 4.25 | 1.50 | 4.00 | 2.38 | 3/8 | 9/16 | 240 |
| 05 | GR-27 | - | | 2/0 SOL.-250 MCM | 4.75 | 1.75 | 4.25 | 2.38 | 3/8 | 9/16 | 240 |
| - | GR-28* | - | | 300-500 MCM | 5.50 | 2.00 | 4.75 | 2.50 | 1/2 | 3/4 | - |
| - | GR-29* | - | | 500-750 MCM | 6.25 | 2.25 | 5.25 | 2.63 | 1/2 | 3/4 | - |
| - | GR-30* | - | | 750-1000 MCM | 6.50 | 2.25 | 5.50 | 2.63 | 1/2 | 3/4 | - |
| 05 | GR-31 | - | 2 | 8 SOL.-4 STR. | 4.38 | 1.50 | 4.25 | 2.81 | 3/8 | 9/16 | 240 |
| 05 | GR-32 | - | | 4 SOL.-2/0 STR. | 4.88 | 1.50 | 4.50 | 2.81 | 3/8 | 9/16 | 240 |
| 08 | GR-33 | - | | 2/0 SOL.-250 MCM | 5.25 | 1.75 | 5.00 | 2.81 | 1/2 | 3/4 | 480 |
| - | GR-34* | - | | 300-500 MCM | 5.75 | 2.00 | 5.00 | 2.94 | 1/2 | 3/4 | - |
| 01 | GR-35* | - | | 500-750 MCM | 6.63 | 2.25 | 5.75 | 3.06 | 1/2 | 3/4 | - |
| - | GR-36* | - | | 750-1000 MCM | 7.00 | 2.25 | 6.00 | 3.06 | 1/2 | 3/4 | - |
| - | GR-37 | - | 2 1/2 | 8 SOL.-4 STR. | 4.88 | 1.50 | 4.63 | 3.31 | 3/8 | 9/16 | 240 |
| 05 | GR-38 | - | | 4 SOL.-2/0 STR. | 5.38 | 1.50 | 5.00 | 3.31 | 3/8 | 9/16 | 240 |
| 05 | GR-39 | - | | 2/0 SOL.-250 MCM | 5.88 | 1.75 | 5.25 | 3.31 | 1/2 | 3/4 | 480 |
| - | GR-40* | - | | 300-500 MCM | 6.50 | 2.00 | 5.75 | 3.44 | 1/2 | 3/4 | - |
| - | GR-41* | - | | 500-750 MCM | 7.25 | 2.25 | 6.25 | 3.56 | 1/2 | 3/4 | - |
| - | GR-42* | - | | 750-1000 MCM | 7.50 | 2.25 | 6.50 | 3.56 | 1/2 | 3/4 | - |
| - | GR-43 | - | 3 | 8 SOL.-4 STR. | 5.50 | 1.50 | 5.25 | 3.94 | 3/8 | 9/16 | 240 |
| 04 | GR-44 | - | | 4 SOL.-2/0 STR. | 6.00 | 1.50 | 5.63 | 3.94 | 3/8 | 9/16 | 240 |
| 05 | GR-45 | - | | 2/0 SOL.-250 MCM | 6.38 | 1.75 | 5.75 | 3.94 | 1/2 | 3/4 | 480 |
| - | GR-46* | - | | 300-500 MCM | 6.88 | 2.00 | 6.25 | 4.06 | 1/2 | 3/4 | - |
| - | GR-47* | - | | 500-750 MCM | 7.50 | 2.25 | 6.63 | 4.19 | 1/2 | 3/4 | - |
| - | GR-48* | - | | 750-1000 MCM | 8.13 | 2.25 | 6.88 | 4.19 | 1/2 | 3/4 | - |
| - | GR-49 | - | 3 1/2 | 8 SOL.-4 STR. | 6.00 | 1.50 | 5.63 | 4.44 | 3/8 | 9/16 | 240 |
| 02 | GR-50 | - | | 4 SOL.-2/0 STR. | 6.38 | 1.50 | 5.88 | 4.44 | 1/2 | 3/4 | 480 |
| 02 | GR-51 | - | 2/0 SOL.-250 MCM | 6.75 | 1.75 | 6.38 | 4.44 | 1/2 | 3/4 | 480 | |
| - | GR-60 | - | 4 | 8 SOL.-4 STR. | 6.38 | 1.50 | 6.38 | 4.94 | 3/8 | 9/16 | 240 |
| 05 | GR-61 | - | | 4 SOL.-2/0 STR. | 6.69 | 1.50 | 6.38 | 4.94 | 1/2 | 3/4 | 480 |
| 05 | GR-62 | - | | 2/0 SOL.-250 MCM | 7.25 | 1.75 | 6.75 | 4.94 | 1/2 | 3/4 | 480 |

*NOT cULus LISTED

NOTES:

1. ALL DIMENSIONS IN INCHES UNLESS OTHERWISE SPECIFIED
2. UNASSIGNED TORQUE VALUES PER UL486A-B FOR MECHANICAL CONNECTORS
3. MANUFACTURED FROM HIGH COPPER CONTENT ALLOY
4. USED TO CONNECT THREE EQUAL SIZE CABLES TO ROD, WATER PIPE, OR STRUCTURED TUBE
5. CONNECTORS ARE cULus LISTED FOR GROUNDING, BONDING, AND DIRECT BURIAL APPLICATIONS PER UL 467

| QTY. | PT. | NAME OR DESCRIPTION |
|------|-----|---|
| | | BRONZE GROUND CLAMP for COPPER CONDUCTORS TO ROD, WATER PIPE, OR STRUCTURED TUBE |
| | | REF. DWG'S: 1N39-18136 H:\1N39\GR_SERIES |
| | | DRAWN BY: DT DATE: 10/27/2023 CHK'D: QJB |
| | | SCALE: 1:1 INTERPRET PER ASME Y14.5-2009 FILE: 1N39 |
| | | SIZE: B |
| | |  GR SERIES REV. - |
| | | 229 WATERFORD STREET EDINBORO, PA 16412 USA |

| NO. | ECN | DATE |
|-----------|-----|------|
| REVISIONS | | |