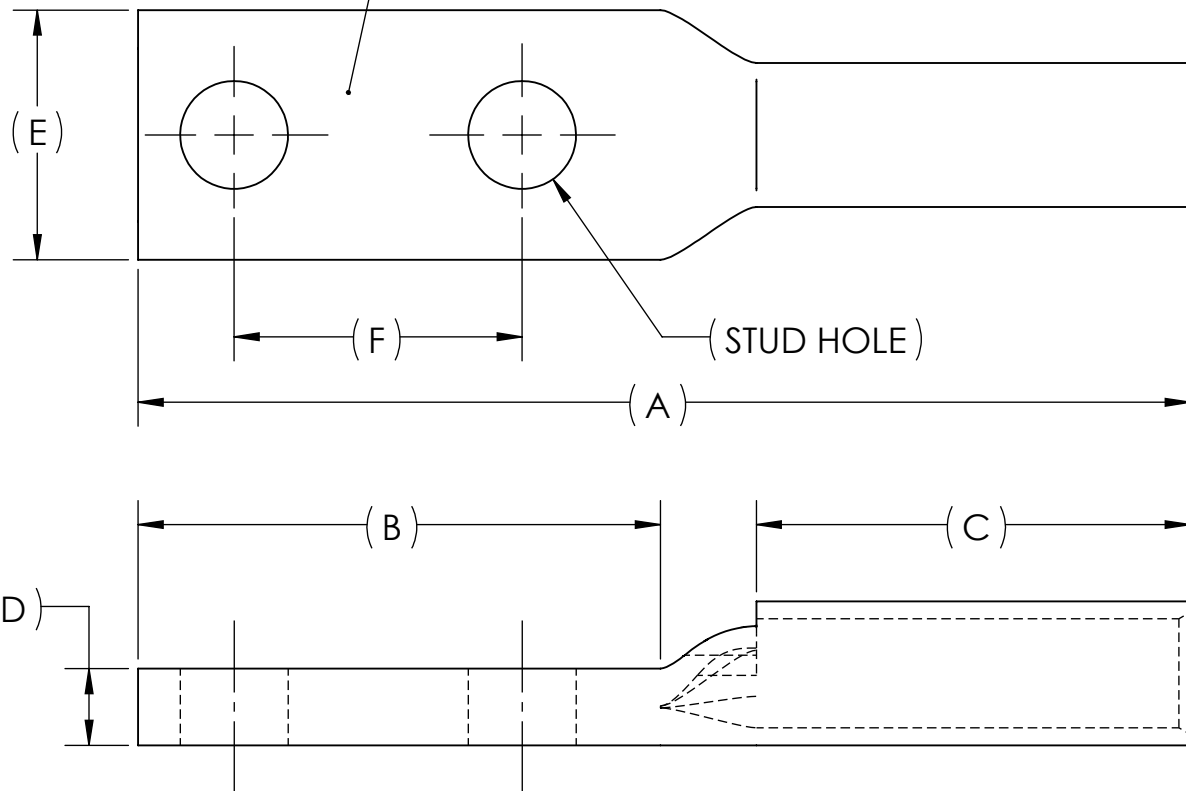


DWG. NO.	REV.	CAT. NO.	SUFFIX	STUD HOLE	DIMENSIONS						APPROX. WEIGHT (LB)	STRIP LENGTH
					A	B	C	D	E	F		
BBLZ-3D	-											
	01	BBLZ-3D2TC14	2TC14	1/4	2.60	1.22	1.13	.20	.65	.63	0.063	1.25
	01	BBLZ-3D2TC14E2	2TC14E2	1/4	2.74	1.36	1.13	.20	.65	.75	0.068	
	01	BBLZ-3D2TC38E2	2TC38E2	3/8	2.96	1.58	1.13	.20	.65	.75	0.068	
	01	BBLZ-3D2TC38E3	2TC38E3	3/8	3.21	1.83	1.13	.20	.65	.81	0.078	
01	BBLZ-3D2TC38	2TC38	3/8	3.21	1.83	1.13	.20	.65	1.00	0.078		

METAL STAMP TO READ:

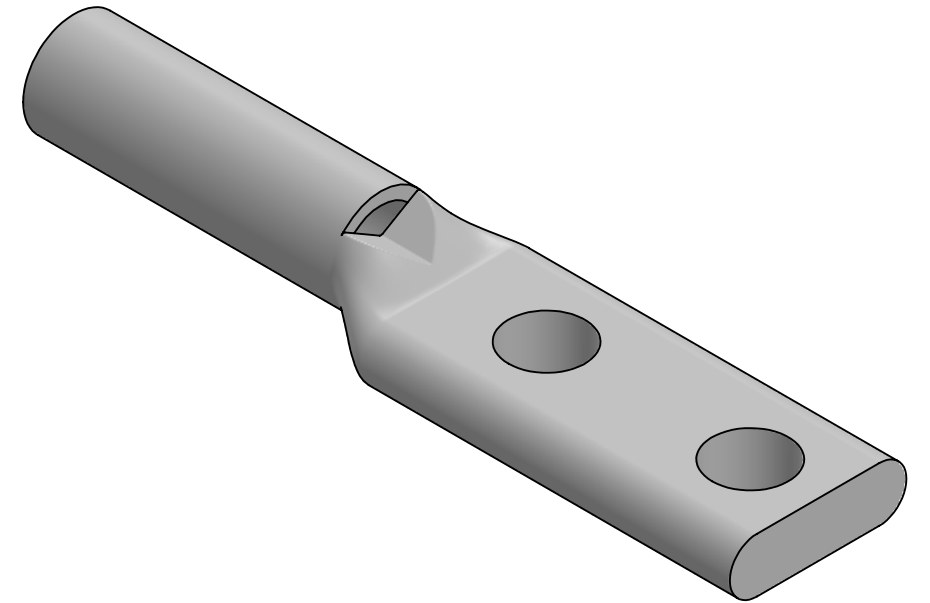
1. 3
2. CU
3. D
4. "SUFFIX"
5. DB
6. 
7. 



INK STAMP REFERENCE



USE BELOW OPTIONAL SUFFIXES FOR ALTERNATE LUG CONFIGURATIONS:
 -45 FOR 45° BENT PAD
 -90 FOR 90° BENT PAD
 -FL FOR FLARED BARREL ENTRY
 -U FOR UNDRILLED PAD
 EXAMPLE: BBLZ-3D2TC14E2-FL



NOTES:

1. ALL DIMENSIONS IN INCHES UNLESS OTHERWISE SPECIFIED
2. SEE INSTALLATION SHEET FOR WIRE SIZE AND TOOLING RECOMMENDATIONS
3. TIN-PLATED TO INHIBIT CORROSION
4. RATED FOR COPPER CONDUCTORS ONLY
5. BEVELED ENTRY FOR EASY CABLE INSERTION
6. INSPECTION WINDOW TO ENSURE FULL CABLE INSERTION
7. CONNECTORS ARE SUITABLE FOR VOLTAGES UP TO 35 KV
8. FOR APPLICATIONS GREATER THAN 2000 VOLTS, CONSULT CABLE MANUFACTURER FOR VOLTAGE STRESS RELIEF INSTRUCTIONS
9. CONNECTORS ARE UL LISTED PER UL486A-B AND CSA CERTIFIED PER C22.2 NO.65 FOR POWER APPLICATIONS UP TO 90°C
10. CONNECTORS ARE UL LISTED FOR GROUNDING, BONDING, AND DIRECT BURIAL APPLICATIONS PER UL467
11. CONNECTORS ARE CSA CERTIFIED FOR GROUNDING, BONDING, AND DIRECT BURIAL APPLICATIONS PER C22.2 NO.41



NO.	ECN	DATE
REVISIONS		

QTY.	PT.	NAME OR DESCRIPTION
	X	COPPER TUBING
		PENN-CRIMP LUG for 3 AWG COPPER CONDUCTORS
REF. DWG'S: 2H02-55136 THROUGH 2H02-55140		H:\2H02\BBLZ-3D
DRAWN BY: DT		DATE: 6/7/2023
SCALE: 2:1		INTERPRET PER ASME Y14.5-2009
SIZE: B		FILE: 2H02
DWG. NO. BBLZ-3D		REV. -

